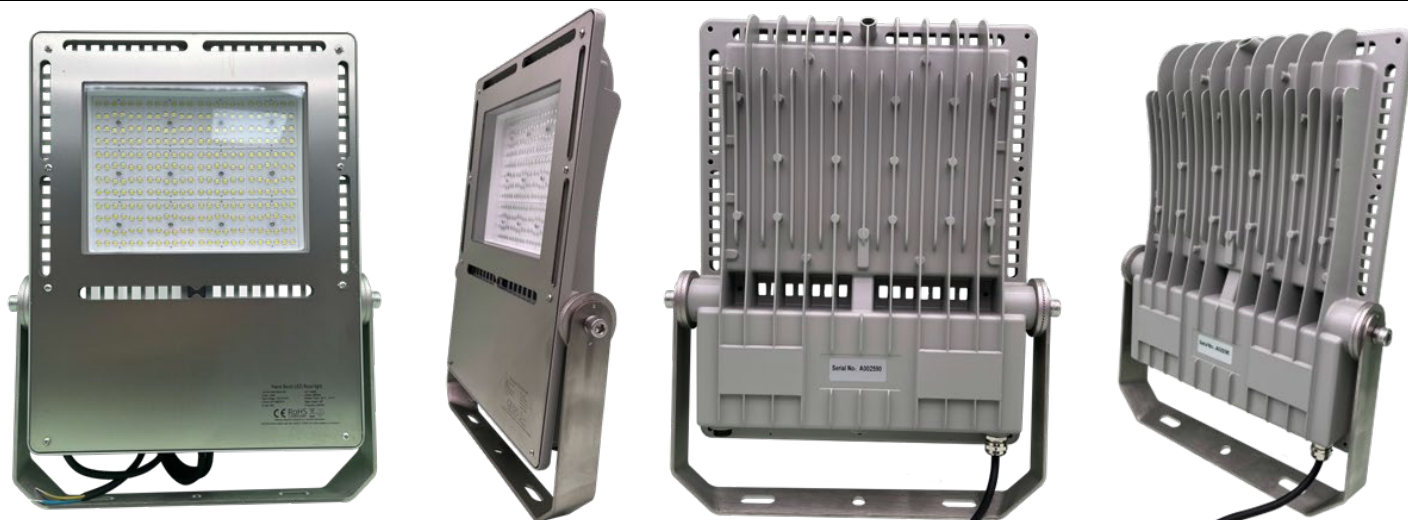


LED lyskaster IP68 (LED-IP68-2025)(L-LCD-FE-)



Input specifications

Input voltage range	100 – 277V AC or 18-32VDC				
Frequency range	50 / 60 Hz				
Rated power (Refer to ambient temperature, note e)	50Watt 217mA i 230V	100Watt 348mA i 230V	150Watt 435mA i 230V	200Watt 870mA i 230V	400Watt 1740mA i 230V
Leakage current	< 0.7 mA / 227 VAC				
Inrush current (230 VAC cold start)	> 40 A (304 μ s)				

Light specifications

Luminous flux	50Watt_6000 lm (beam angle 30°)/ 120lm/w	100Watt_12000 lm (beam angle 30°)/ 120lm/w	150Watt_18000 lm (beam angle 30°)/ 120lm/w	200Watt_24000 lm (beam angle 30°)/ 120lm/w	400Watt_48000 lm (beam angle 30°)/ 120lm/w
	50Watt_6500 lm (beam angle 60°)/ 130lm/w	100Watt_13000 lm (beam angle 60°)/ 130lm/w	150Watt_19500 lm (beam angle 60°)/ 130lm/w	200Watt_26000 lm (beam angle 60°)/ 130lm/w	400Watt_52000 lm (beam angle 60°)/ 130lm/w
	50Watt_7000 lm (beam angle 90°)/ 140lm/w	100Watt_14000 lm (beam angle 90°)/ 140lm/w	150Watt_21000 lm (beam angle 90°)/ 140lm/w	200Watt_28000 lm (beam angle 90°)/ 140lm/w	400Watt_56000 lm (beam angle 90°)/ 140lm/w
Color rendering index (CRI)	≥70 (minimum)				
Color temperature	3000K / 4000 K / 6500K				
Light distribution	Navy basic_50W Refer to light distribution (page 4) (Wide beam comparable to a 450W halogen lamp)	Navy basic_100W Refer to light distribution (page 4) (Wide beam comparable to a 750W halogen lamp)	Navy basic_150W Refer to light distribution (page 4) (Wide beam comparable to a 1000W halogen lamp)	Navy basic_200W Refer to light distribution (page 4) (Wide beam comparable to a 1500W halogen lamp)	Navy basic_400W Refer to light distribution (page 4) (Wide beam comparable to a 3500W halogen lamp)

General specifications

Startup time	1 second (note 5)				
Operating ambient temperature (Ta)	-40°C to +55°C				
Storage temperature	-40°C to +80°C				
Materials	4mm Anti-UV PC plastic Powder coated anodized seawater resistant aluminum + Stainless steel (AISI 316, A4)				
Finish	Coated Grey				
Weight (KG)	6.2 kg	6.4KG	6.5KG	8.5KG	14.2KG
Protection class	IP68 & IP69K / IK10				
Lifetime prediction	50,000 hours Designed to endure saltwater environments for more than 5 years!				

Safety standards

LED modules for general lightning	IEC 62031
Photobiological safety	IEC 62471: 2009 (Low risk – RG1)
Electromagnetic compatibility (EMC)	EN 55015
Radiated emissions	EN 60945
EMS immunity	EN 55024 (surge 4KV – criteria A) EN 61000-4-2, 3, 4, 5, 6, 8, 11



heat-sink housing with air vents
ensure a perfect thermal
managements



Stainless steel protection
Front cover



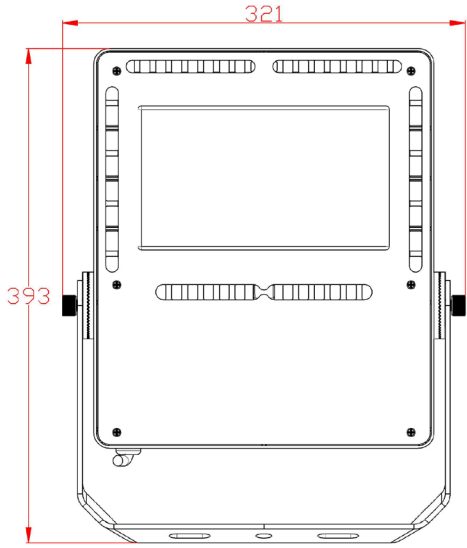
Marine grade painting coating

Stainless steel gear kit SST #316

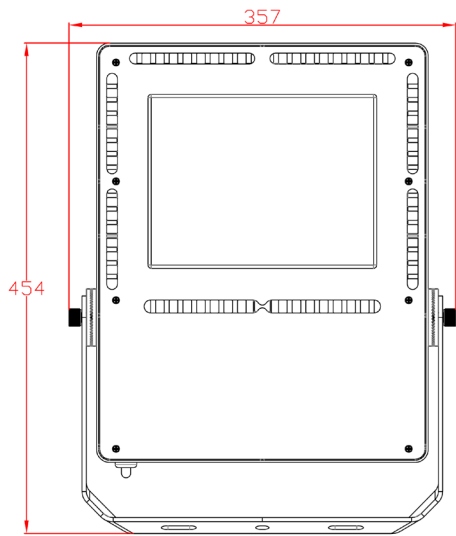


All hardware with stainless steel

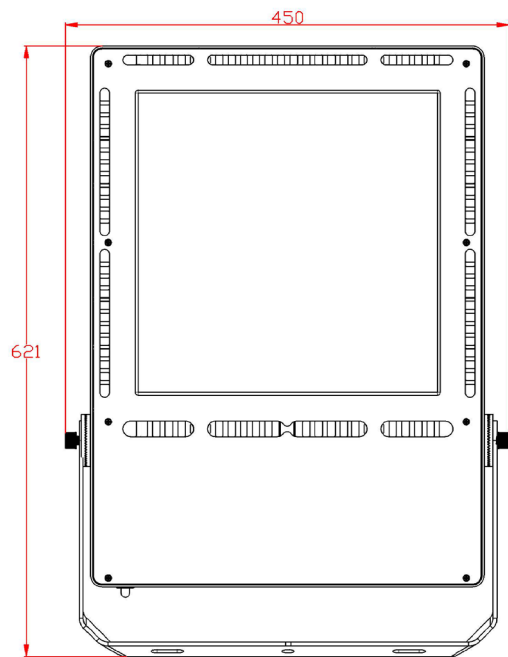




50W / 100W / 150W



200W



300W / 400W