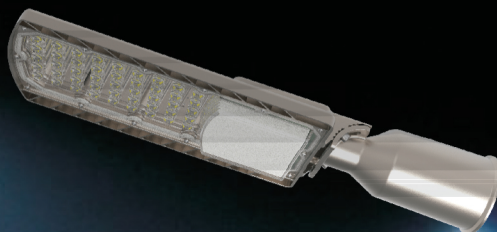


LEDX.NO

LED expert AS
Torpumveien 543
1788 Halden

E-post: post@ledx.no
Tlf: 909 54 606

LED Street LIGHT



30W-60W



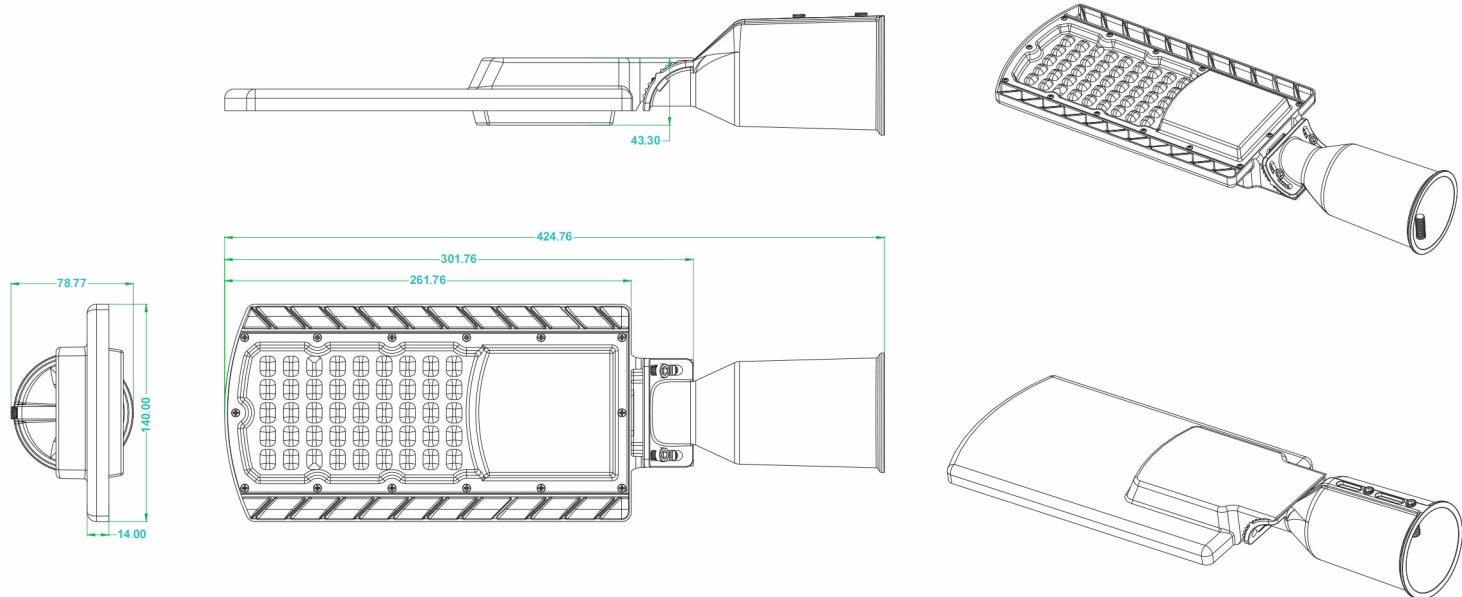
Product Name	30W LED Street LIGHT	60W LED Street LIGHT
LED Type	SAMSUNG 2835	SAMSUNG 2835
LED QTY	45 PCS	90PCS
Luminous flux	130LM/W (CCT=5000K) 5%	140LM/W (CCT=5000K) 5%
Luminous Flux	3900LM (CCT=5000K) 5%	8400LM (CCT=5000K) 5%
CCT	3000K, 4000K, 5000K, 5700K, 6500K	3000K, 4000K, 5000K, 5700K, 6500K
Beam Angle	TYPE II、TYPE III	TYPE II、TYPE III
CRI	>80Ra	>80Ra
System Efficiency	>90	>90
Power Supply	ZC-ST30-B	ZC-ST60-B
Input Voltage	AC220-240V	AC220-240V
Power Frequency	50/60Hz	50/60Hz
Output Voltage	36-45VDC	36-45VDC
Output Current	0.5-0.9A(Constant Corrent)	1.2-1.6A(Constant Corrent)
Power Efficiency	>90%	>90%
Power Factor	>0.90	>0.90
Total Harmonic Distortion	<15%	<15%
System Power consumption	30W±2W	60W±2W
LED Power Consumption	28W±2W	58W±2W
Fixture Material	ADC12 Aluminum alloy	ADC12 Aluminum alloy
Ingress Protection	Ip65	Ip65
Net Weight	0.75kg±0.2kg	0.95kg±0.2kg
Gross weight	1.05kg±0.2kg	1.25kg±0.2kg
Life span	>50000Hrs(Ta=30°C @LM70)	>50000Hrs(Ta=30°C @LM70)
Junction Temperature	<75°C(Ta=30°C)	<75°C(Ta=30°C)
Storage Temperature	(-40~+70°C)	(-40~+70°C)
Operating Temperature	(-30~+50°C)	(-30~+50°C)
Operating Humidity	15-90%RH	15-90%RH
Outlook Dimensions	L424.76*W140*H78.7mm	L424.76*W140*H78.7mm
Cartion size	L455*W145*H80mm	L455*W145*H80mm



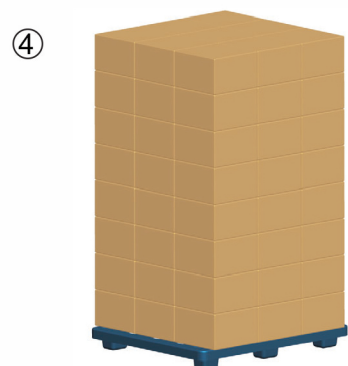
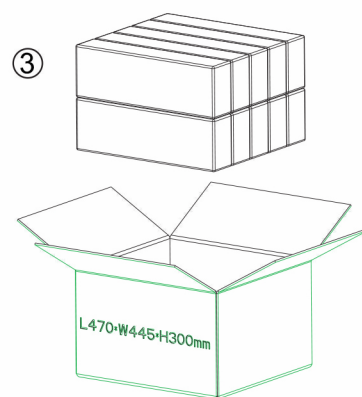
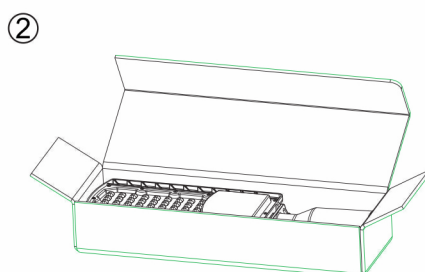
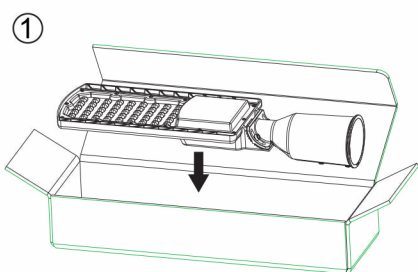
IP65



30W-60W Size

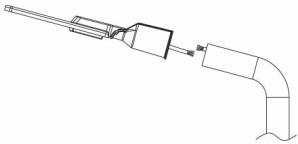
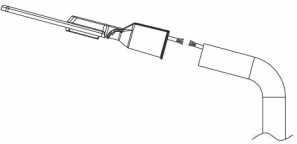
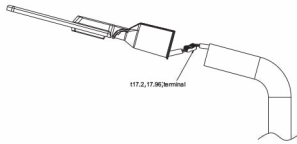
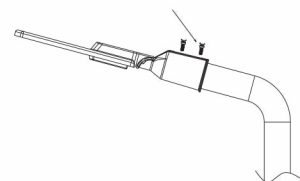


packaging

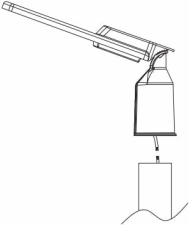
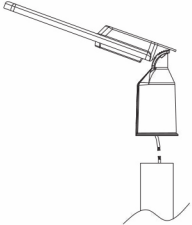
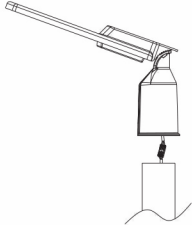
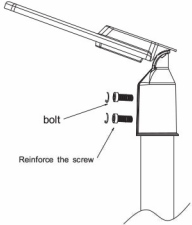


Installation method

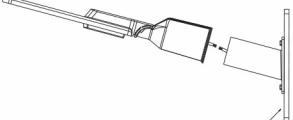
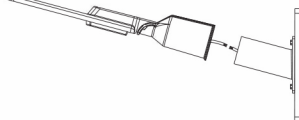
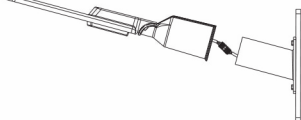
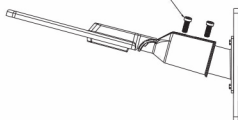
Installation of elbow lamp post

<p>1</p>  <p>The lamp post is the installation of the elbow.</p>	<p>2</p>  <p>Straighten the power connection between the lamp and the lamppost.</p>	<p>3</p>  <p>Connect the AC wire on the lamp with the AC wire on the lamppost as shown in the figure.</p>	<p>4</p>  <p>Connect the line and then put the sleeve on the lamp on the lamp post, lock the screw and reinforce it.</p>
--	--	---	---

Installation of vertical lamppost

<p>1</p>  <p>Installation method of vertical lamppost.</p>	<p>2</p>  <p>Straighten the power connection between the lamp and the lamppost.</p>	<p>3</p>  <p>Connect the AC wire on the lamp with the AC wire on the lamppost as shown in the figure.</p>	<p>4</p>  <p>Connect the line and then put the sleeve on the lamp on the lamp post, lock the screw and reinforce it.</p>
---	--	---	---

Wall installation

<p>1</p>  <p>Install the lamp on the wall as shown.</p>	<p>2</p>  <p>Straighten the power connection between the lamp and the lamppost.</p>	<p>3</p>  <p>Connect the AC wire on the lamp with the AC wire on the lamppost as shown in the figure.</p>	<p>4</p>  <p>Connect the line and then put the sleeve on the lamp on the lamp post, lock the screw and reinforce it.</p>
---	--	---	---

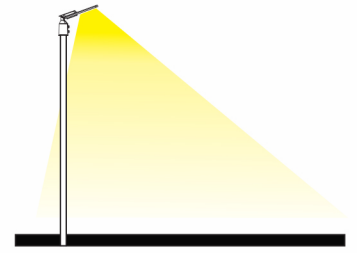
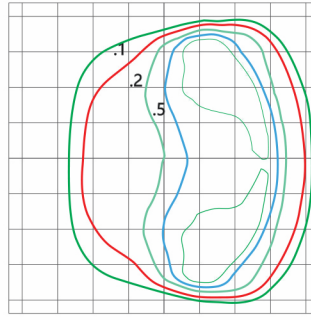
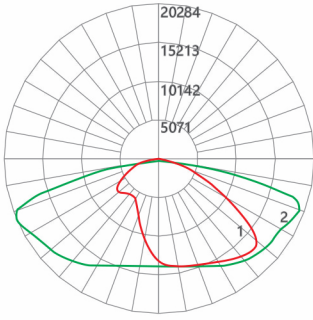


Photometrics:

30W

TYPE III

Asymmetrical Ultra Wide
3900 Lumens
5000K



TYPE II

Asymmetrical Ultra Wide
3900 Lumens
5000K

