

\*Please specify the required glass globe type.



Clear Glass Globe

Prismatic Glass Globe

With Accessory "Guard"

Net Weight: 9.5 kg (20.9 lb)

**Protection**

- Class I, Division 2, Group A, B, C and D
- Class II, Division 1, Group E, F and G
- Class III

**Standards**

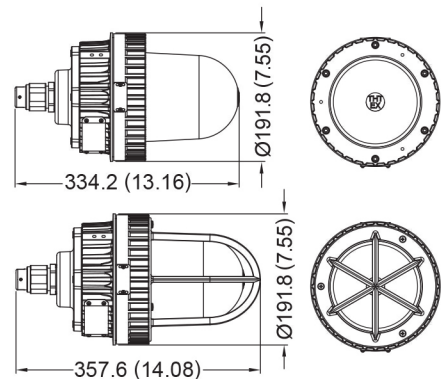
UL 844  
UL 1598 Luminaires  
UL 8750  
CSA C22.2 No. 137-M1981  
CSA C22.2 No. 25-1966  
CSA C22.2 No. 250.0  
CSA C22.2 No. 250.13

**Light Features**

- 360° illumination angle
- Applicable to high temperature environment
- Ideal for replacing traditional HPS Lighting

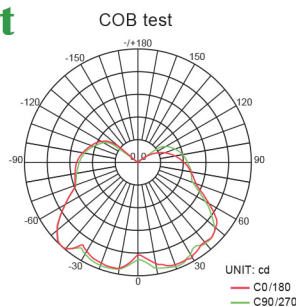
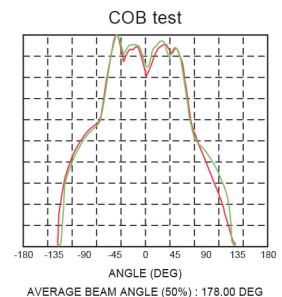
**Technical Data**

Rated Voltage (±10%)	120V / 277V / 480V AC, (480V only COB 80W)				
Watts (±10%)	COB / DOB: 40W / 50W / 70W / 80W				
Amps	40W 120V: 0.33A, 277V: 0.14A / 50W 120V: 0.42A, 277V: 0.18A / 70W 120V: 0.58A, 277V: 0.25A / 80W 120V: 0.67A, 277V: 0.29A, 480V: 0.17A				
Color of LED Light	3000K (Warm White) / 5000K (Cool White)				
Ambient Temperature	CID2: -40°C ~ +40°C, T3C / CIID1: +40°C, T4A				
Lumen (±10%)	COB/DOB	40W	50W	70W	80W
	3000K	3600lm	4500lm	6300lm	7200lm
	5000K	4000lm	5000lm	7000lm	8000lm
Beam Angle	X-110° / Y-110°				
Power Factor	$\cos \geq 0.9$ , $\cos \geq 0.87$ (480V)				
CRI	Cool White $\geq 70$ / Warm White $\geq 80$				
Frequency	50 / 60 Hz				
Degree of Protection	IP67 / NEMA 6				
Material: Enclosure	Aluminum alloy				
LED Service Life	60,000 hrs				
Entrance Thread	1 × NPT 3/4" or 1 × M25				



Dimension in Millimeters (inches)

▲ Illumination angle 360°

**Optical Report**Polar Luminous  
Intensity DistributionLuminous  
Intensity Distribution Diagram

## Mounting Option & Dimensions (All in mm)

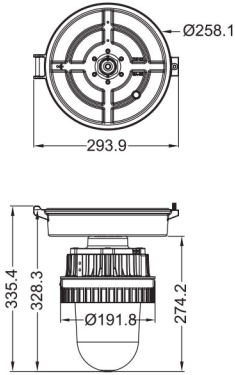
Standard Product			
<p>Wall / Hanging Mount 25° (W25)</p> <p>10.0 kg (22.0 lb)</p>	<p>Wall / Hanging Mount 90° (W90)</p> <p>10.0 kg (22.0 lb)</p>	<p>Hanging Mount 90° (H90)</p> <p>10.0 kg (22.0 lb)</p>	
<p>Straight Electrical Tube (P90)</p> <p>10.5 kg (23.1 lb)</p>	<p>Bending Electrical Tube 90° (S90)</p> <p>10.6 kg (23.4 lb)</p>	<p>Bending Electrical Tube 25° (S25)</p> <p>10.5 kg (23.1 lb)</p>	<p>Hanging Mount 25° (H25)</p> <p>10.0 kg (22.0 lb)</p>

With optional accessory "Guard"			
<p>Wall / Hanging Mount 25° (W25G)</p> <p>10.2 kg (22.5 lb)</p>	<p>Wall / Hanging Mount 90° (W90G)</p> <p>10.2 kg (22.5 lb)</p>	<p>Hanging Mount 90° (H90G)</p> <p>10.2 kg (22.5 lb)</p>	
<p>Straight Electrical Tube (P90G)</p> <p>10.7 kg (23.5 lb)</p>	<p>Bending Electrical Tube 90° (S90G)</p> <p>10.8 kg (23.8 lb)</p>	<p>Bending Electrical Tube 25° (S25G)</p> <p>10.7 kg (22.0 lb)</p>	<p>Hanging Mount 25° (H25G)</p> <p>10.2 kg (22.5 lb)</p>

# Pan Mounting Option & Dimensions (All in mm)

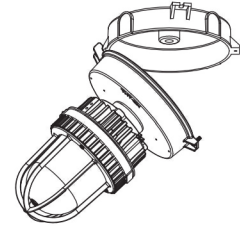
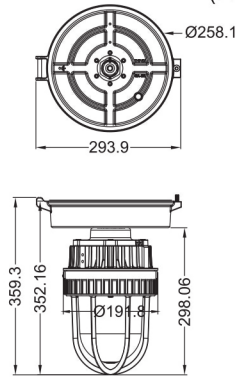
## Retrofit Kit for C Brand

(PAN)



10.5 kg (23.1 lb)

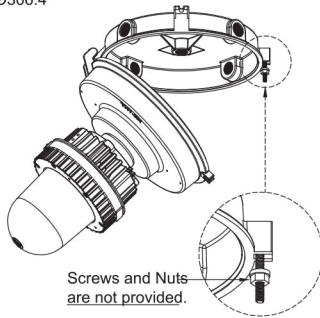
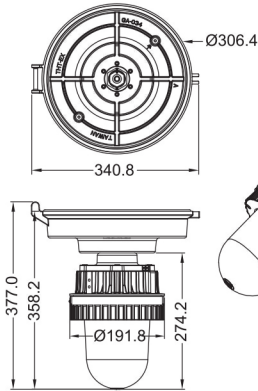
Retrofit Kit with optional accessory "Guard"  
(PANG)



10.8 kg (23.8 lb)

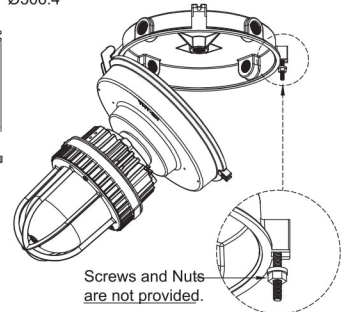
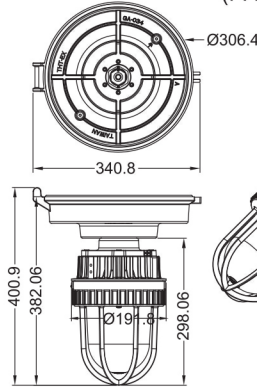
## Retrofit Kit for A Brand

(PANA)



10.8 kg (23.8 lb)

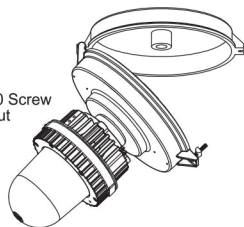
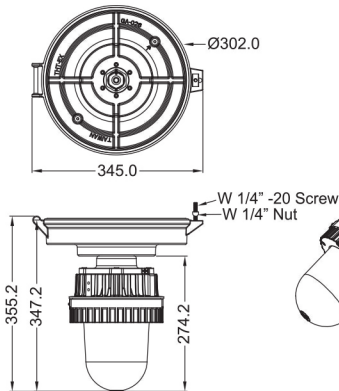
Retrofit Kit with optional accessory "Guard"  
(PANAG)



11.1 kg (24.5 lb)

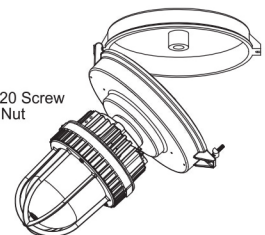
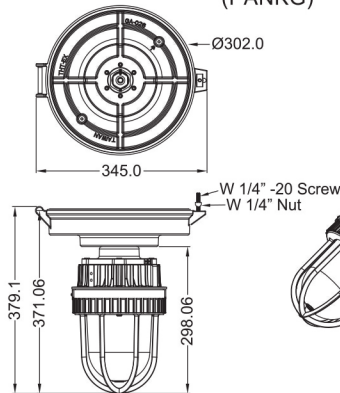
## Retrofit Kit for K Brand

(PANK)



11.0 kg (24.3 lb)

Retrofit Kit with optional accessory "Guard"  
(PANKG)



11.3 kg (24.9 lb)

### Applicable Area

- Oil Refinery Complex
- Petrochemical Complex
- Painting Facility
- Transporting Nature Gas
- Transporting Liquefied Petroleum Gas
- Offshore Platform (Oil and Natural Gas)